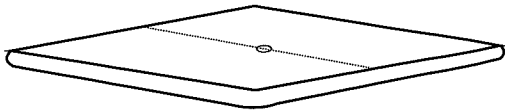


SISAL SCRATCHER

assembly instructions

Your new Sisal Scratcher is easy to assemble.

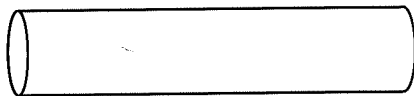
contents



Base (1pc.)



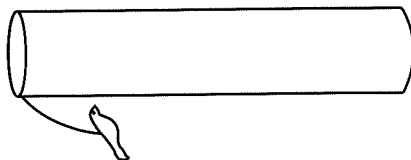
Spacer (1pc.)



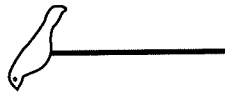
Tube 11.8" (1pc.)



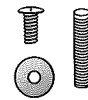
Allen Wrench (1pc.)



Top tube 11.8" (1pcs.)



Spring Toy (1pc.)



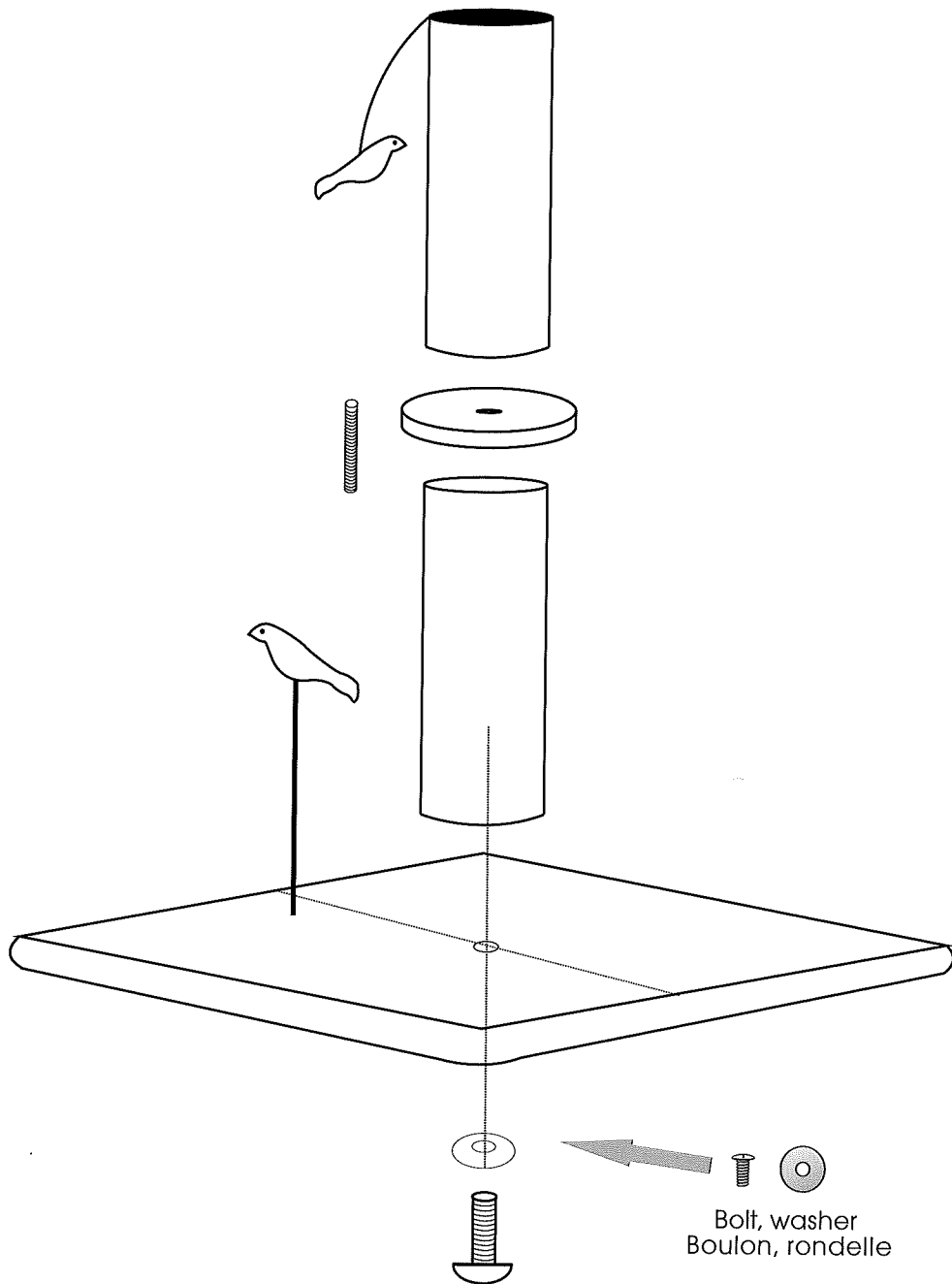
Hardware (3pcs.)

**MAX &
marlow**

by One Source International

Part# 32432306

assembly



Please call Customer Service at 1-800-228-7019 with questions or comments.

**MAX &
marlow**
by One Source International

Part# 32432306